

Clare Garden Village, Cowbridge

Plot 262 – 2 Bedroom Semi Detached House - £175,000

Plot 263 – 2 Bedroom Semi Detached House - £175,000

Plot 265 – 2 Bedroom Semi Detached House - £175,000

The above sale prices are 70% of the market value



These two bedroom homes are situated on a desirable development of 475 homes at Darren Farm on the outskirts of Cowbridge, a market town in the Vale of Glamorgan, approximately 7 miles west of Cardiff.

The development will also involve the construction of a link road connecting the Cowbridge bypass with Llantwit Major, as well as footpaths, cycleways and landscaping.

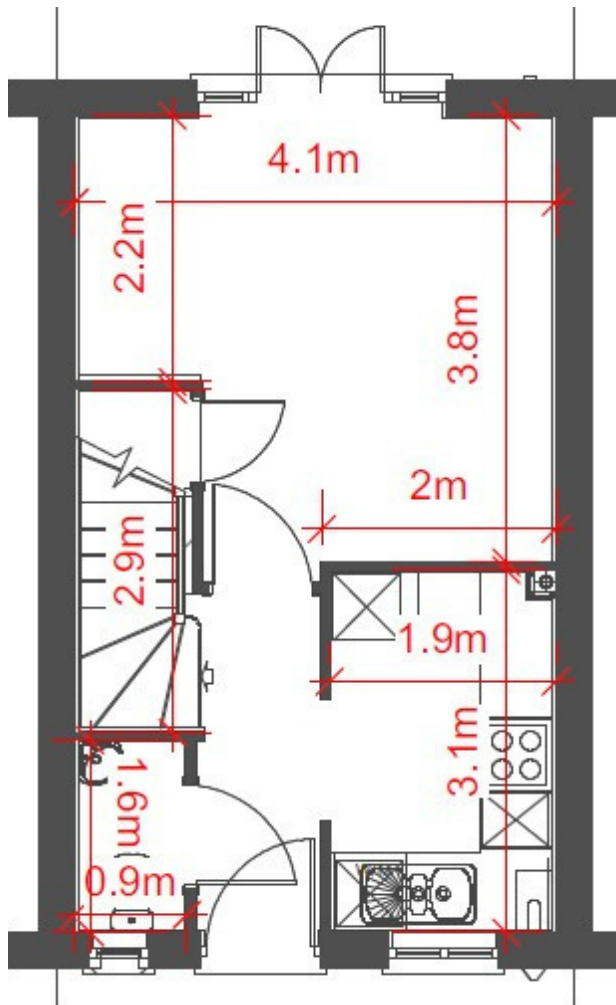
A local sales policy is in place and priority will be given to those who have a connection to Cowbridge, Llanblethian or Penllyn.

Property consist of:

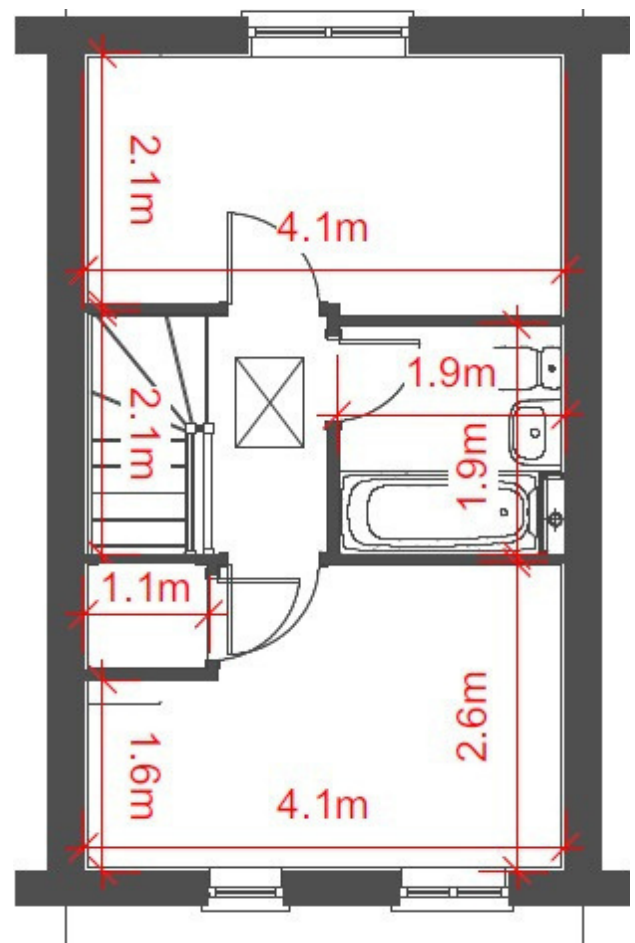
- Hallway
- Striking fitted kitchen
- Lounge with patio doors to garden
- Bedroom 1
- Bedroom 2
- Modern family bathroom
- Downstairs WC
- Downstairs storage cupboard
- Two allocated parking spaces and a turfed garden

Floor plans

These plans are for illustrative purposes only and the measurements of doors, windows and rooms are approximate, not to scale and no responsibility is taken for any error, omission or mis-statement.



Ground floor



First floor

Contact us



homesforsale@newydd.co.uk



03030401998



Newydd Housing Association, 5 Village Way,
Tongwynlais, CF15 7NE

Pentref Clare Garden, Y Bontfaen

Plot 262 – Tŷ Pâr 2 Ystafell Wely - £175,000

Plot 263 – Tŷ Pâr 2 Ystafell Wely - £175,000

Plot 265 – Tŷ Pâr 2 Ystafell Wely - £175,000

Mae'r prisiau gwerthu uchod yn 70% o werth y farchnad.



Mae'r cartrefi 2 ystafell wely yma wedi eu lleoli ar ddatblygiad dymunol o 475 o gartrefi yn Darren Farm ar gyrion y Bontfaen, tre farchnad ym Mro Morgannwg, tua 7 milltir i'r gorllewin o Gaerdydd.

Bydd y datblygiad hefyd yn cynnwys adeiladu ffordd gyswllt sy'n cysylltu ffordd osgoi'r Bontfaen â Llanilltud Fawr, yn ogystal â llwybrau troed / llwybrau beicio.

Mae polisi gwerthu lleol yn ei le a rhoddir blaenoriaeth i'r rhai sydd â chysylltiad â'r Bontfaen, Llanfl eiddan neu Ben-llin.

Mae'r eiddo yn cynnwys:

Cyntedd

Cegin

Lolfa gyda drysau patio i'r ardd

Ystafell Wely 1

Ystafell Wely 2

Ystafell ymolchi deuluol fodern

Toiled i lawr grisiau

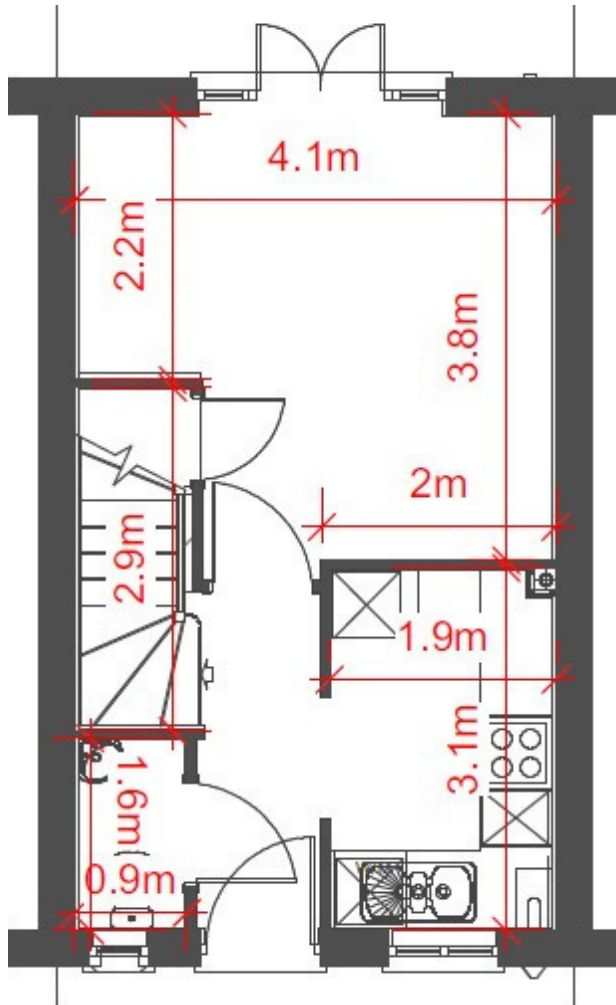
Cwprdd storio i lawr y grisiau

Dau le parcio wedi'u neilltuo a

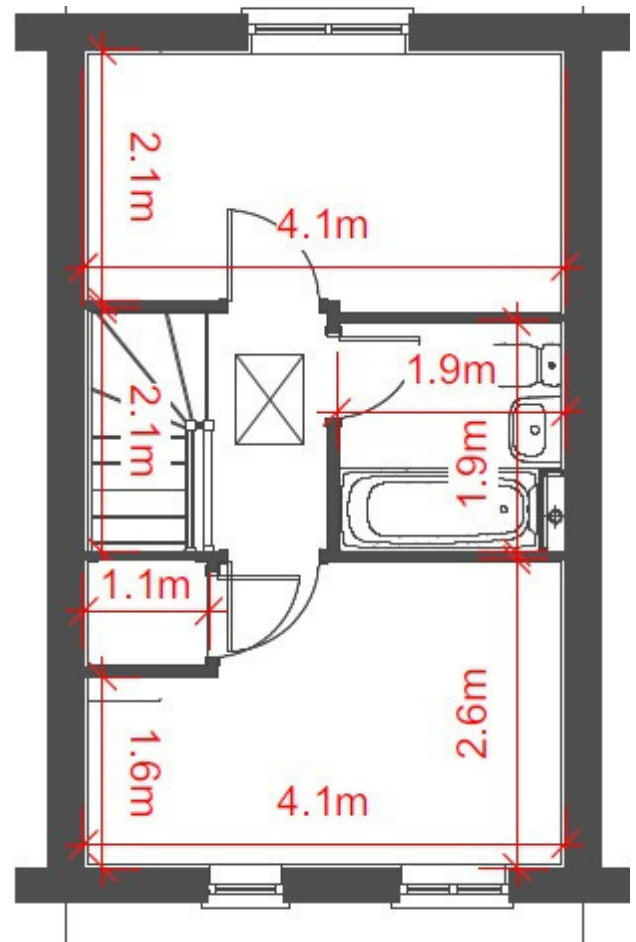
gardd

Cynlluniau llawr

Mae'r cynlluniau hyn at ddibenion enghreifftiol yn unig ac mae mesuriadau drysau, ffenestri ac ystafelloedd yn fras, nid i raddfa a nid oes cyfrifoldeb yn cael ei gymryd am unrhyw wall, hepgoriad neu gam-ddatganiad.



Llawr gwaelod



Llawr cyntaf

Cysylltwch

✉ homesforsale@newydd.co.uk

☎ 03030401998

📄 Cymdeithas Tai Newydd, 5 Village Way, Tongwynlais, CF15 7NE